



NodOn

Z-Wave Plus Micro Smart Plug Switch F

SKU: NODEMSP3111



Quickstart

This is a **On/Off Power Switch** for **Europe**. To run this device please connect it to your mains power supply. To add this device to the Z-Wave network, please perform the following action:

To include/add to the Z-Wave network, long press during 2 seconds to send several NIF during 30 seconds or a triple press to send a NIF during 30 seconds.

Important safety information

Please read this manual carefully. Failure to follow the recommendations in this manual may be dangerous or may violate the law. The manufacturer, distributor and seller shall not be liable for any loss or damage resulting from failure to comply with the instructions in this manual or from using the equipment only for its intended purpose. Follow the disposal instructions. Do not dispose of electronic equipment or batteries in a fire.

What is Z-Wave?

Z-Wave is the international wireless protocol for communication in the Smart Home. This device is suited for use in the region mentioned in the manual.

Z-Wave ensures a reliable communication by reconfirming every message (**two-way communication**) and every mains powered node can act as a repeater for other nodes (**meshed network**) in case the receiver is not in direct wireless range of the transmitter.

This device and every other certified Z-Wave device can be **used together with any other certified Z-Wave device regardless of brand and origin** as long as both are suited for the same frequency range.

If a device supports **secure communication** it will communicate with other devices secure as long as this device provides the same or a higher level of security. Otherwise it will automatically turn into a lower level of security to maintain backward compatibility.

For more information about Z-Wave technology, devices, white papers etc. please refer to www.z-wave.info.

Product Description

The NodOn Micro Smart Plug can be controlled by any kind of Z-Wave (or Z-Wave Plus) gateway or other Z-Wave controller (standard NodOn Soft Remote or Octan Remote). It existed in both standard, Type E (French) or Schuko (German). Its very small design and without obstructing nearby power holes on a power strip. Furthermore, it can perform Power and Energy Metering. The NodOn Smart Plug is compatible with the Z-Wave 500 series Z-Wave module from Sigma Designs, and support all the new features of Z-Wave Plus standard: Longer range (up to 400m), higher data rate transmission, and many more new features.



Prepare for Installation / Reset

Please read the user manual before installing the product.

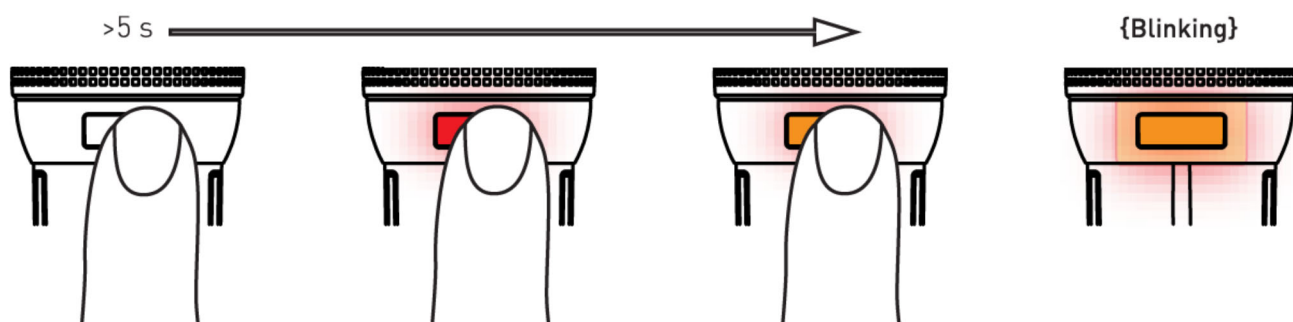
In order to include (add) a Z-Wave device to a network it **must be in factory default state**. Please make sure to reset the device in this by performing an Exclusion operation as described below in the manual. Every Z-Wave controller is able to perform this operation to use the primary controller of the previous network to make sure the very device is excluded properly from this network.

Reset to factory default

This device also allows to be reset without any involvement of a Z-Wave controller. This procedure should only be used when the primary controller is missing.

To reset, long press during more than 5 seconds then release. Please use this procedure only when the primary controller is missing.

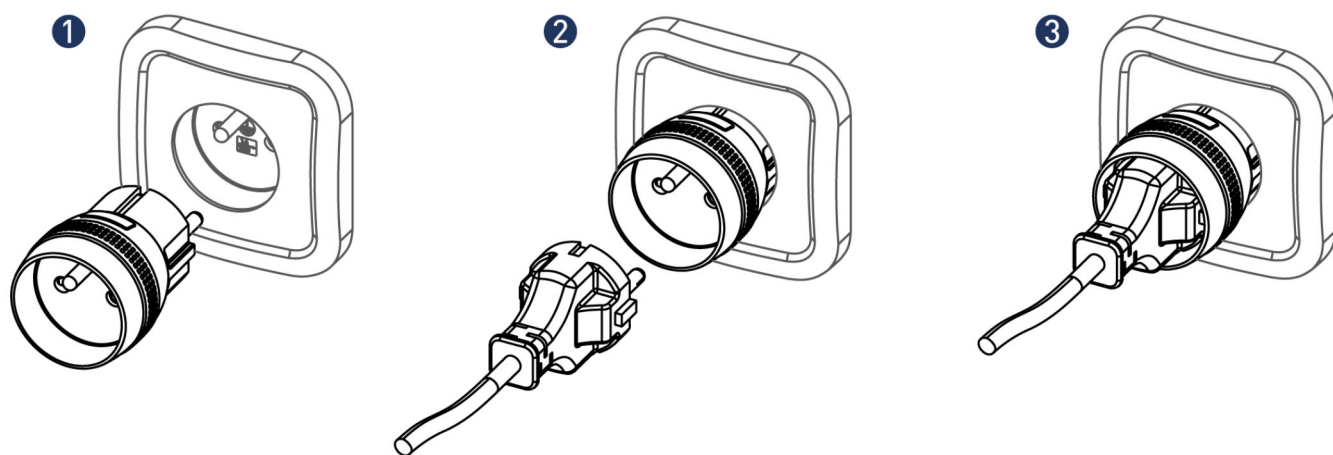
“Factory Reset”



Safety Warning for Mains Powered Devices

ATTENTION: only authorized technicians under consideration of the country-specific installation guidelines/norms may do works with mains power. For the assembly of the product, the voltage network has to be switched off and ensured against re-switching.

Installation



- 1) Plug the NodOn® Micro Smart Plug on your power outlet.
- 2) Plug the electrical appliance, you want to control, on the NodOn® Micro Smart Plug.
- 3) The Micro Smart Plug allows to switch ON (Power ON) or switch OFF (Power OFF) the electrical appliance you want to control.

Switching ON or OFF can be done through the Micro Smart Plug local button, or any kind of Z-Wave® compatible devices, such as

the NodOn® Soft Remote or a Home Automation Gateway.

If the electrical appliance (ex.: bedside lamp) has an ON/OFF button, make sure it's positioned on "ON", in order that the power ON switch ON the lamp.

Inclusion/Exclusion

On factory default the device does not belong to any Z-Wave network. The device needs to be **added to an existing wireless network** of devices of this network. This process is called **Inclusion**.

Devices can also be removed from a network. This process is called **Exclusion**. Both processes are initiated by the primary controller. The controller is turned into exclusion respective inclusion mode. Inclusion and Exclusion is then performed doing a special manual action.

Inclusion

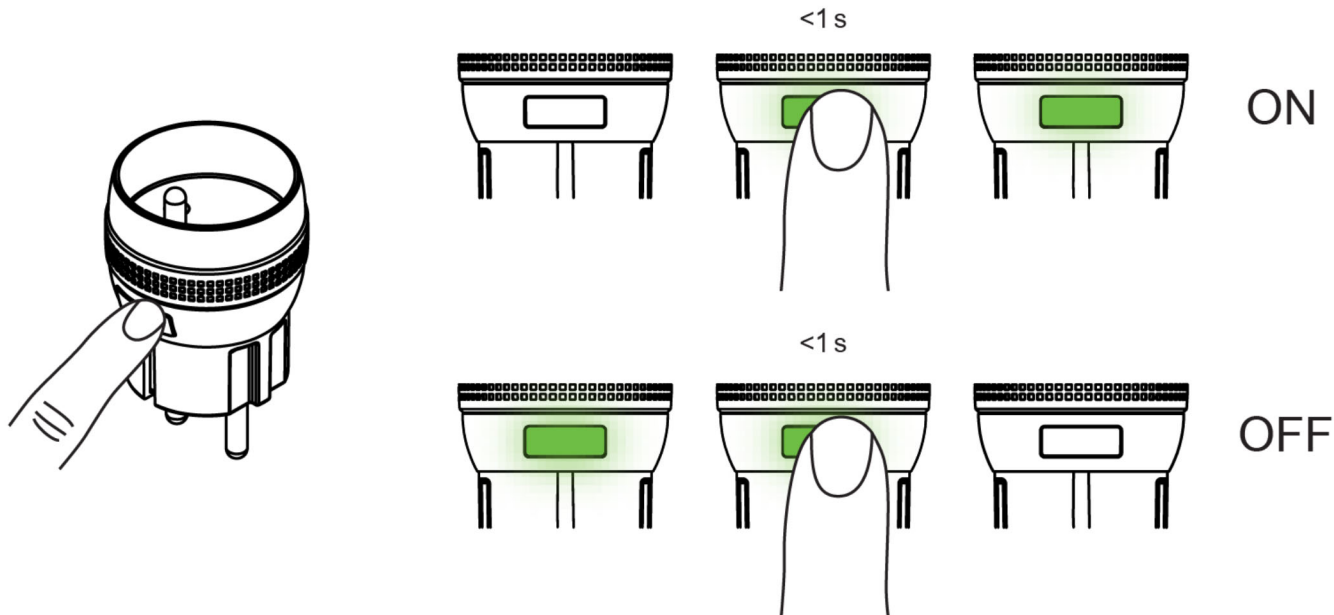
To include/add to the Z-Wave network, long press during 2 seconds to send several NIF during 30 seconds or a triple press to send

Exclusion

To exclude/remove from the Z-Wave network, long press during 2 seconds to send several NIF during 30 seconds or a triple press

Product Usage

"Local Control"



The Micro Smart Plug can be switched ON or OFF locally, through a short press on the local button. By default, the Micro Smart Plug LED is green, OFF when the LED is OFF.

Quick trouble shooting

Here are a few hints for network installation if things don't work as expected.

1. Make sure a device is in factory reset state before including. In doubt exclude before include.
2. If inclusion still fails, check if both devices use the same frequency.
3. Remove all dead devices from associations. Otherwise you will see severe delays.
4. Never use sleeping battery devices without a central controller.
5. Don't poll FLIRS devices.
6. Make sure to have enough mains powered device to benefit from the meshing

Association - one device controls another device

Z-Wave devices control other Z-Wave devices. The relationship between one device controlling another device is called association. For a controlling device, the controlling device needs to maintain a list of devices that will receive controlling commands. These lists are called associations and are always related to certain events (e.g. button pressed, sensor triggers, ...). In case the event happens all devices stored in the respective list will receive the same wireless command, typically a 'Basic Set' Command.

Association Groups:

Group Number	Maximum Nodes	Description
1	5	Z-Wave Plus Lifeline: This group is generally used to report information to the Main Controller of the network.
2	5	Follow State: When the Micro Smart Plug is switched ON (respectively OFF) using the local button, it will send ON (respectively OFF) command to the associated devices. This group is configurable through the parameter 3.
3	5	Follow Complementary State: When the Micro Smart Plug is switched ON (respectively OFF) using the local button, it will send OFF (respectively ON) command to the associated devices. This group is configurable through the parameter 3.
4	5	Metering - High Threshold - Set ON/OFF: When the Micro Smart Plug reaches a threshold of power defined by the configuration parameter, it will send ON/OFF command to the associated devices. This group is configurable through the parameter 21.
5	5	Metering - Low Threshold - Set ON/OFF: When the Micro Smart Plug reaches a threshold of power defined by the configuration parameter, it will send ON/OFF command to the associated devices. This group is configurable through the parameter 22.
6	5	Metering Report: All the meter reports and notifications triggered by the Micro Smart Plug are reported to the devices present in this group. This group is configurable through the parameters 21, 22, 23 and 24.

Configuration Parameters

Z-Wave products are supposed to work out of the box after inclusion, however certain configuration can adapt the function better to specific use cases and enhanced features.

IMPORTANT: Controllers may only allow configuring signed values. In order to set values in the range 128 ... 255 the value sent in the command must be the desired value minus 256. For example: To set a parameter to 200 it may be needed to set a value of 200 minus 256 = minus 56. In the same logic applies: Values greater than 32768 may be needed to be given as negative values too.

Parameter 1: Default State

This parameter defines the status of the Micro Smart Plug after a power outage or after being plugged.

Size: 1 Byte, Default Value: 2

Setting	Description
0	ON
1	OFF
2	State before power outage

Parameter 3: Follow State

This parameter allows to enable or disable Group 2 & Group 3.

Size: 1 Byte, Default Value: 3

Setting	Description
0	Group 2 and Group 3 disable
1	Group 2 enable, Group 3 disable
2	Group 2 disable, Group 3 enable
3	Group 2 and Group 3 enable

Parameter 4: Always ON

This parameter forces the Micro Smart Plug status to be ON. While enable it is not possible to switch OFF the plug (local or wireless).
Size: 1 Byte, Default Value: 0

Setting	Description
0	Always ON disable
1	Always ON enable

Parameter 5: Alarm 1 Type Configuration

This parameter is to set the Alarm 1 Type. Use the Home Automation Gateway interface or our Alarm set-up form to define the value you need.
Size: 2 Byte, Default Value: 0

Setting	Description
0 - 65535	To set-up your values please follow this link : www.nodon.fr/support/msp3/alarm

Parameter 6: Alarm 1 Specifications

This parameter is to set the Alarm 1 Specifications. Use the Home Automation Gateway interface or our Alarm set-up form to define the values you need.
Size: 4 Byte, Default Value: 0

Setting	Description
0 - 2097151999	To set-up your values please follow this link : www.nodon.fr/support/msp3/alarm

Parameter 7: Alarm 2 Type Configuration

This parameter is to set the Alarm 2 Type. Use the Home Automation Gateway interface or our Alarm set-up form to define the value you need.
Size: 2 Byte, Default Value: 0

Setting	Description
0 - 65535	To set-up your values please follow this link : www.nodon.fr/support/msp3/alarm

Parameter 8: Alarm 2 Specifications

This parameter is to set the Alarm 2 Specifications. Use the Home Automation Gateway interface or our Alarm set-up form to define the values you need.
Size: 4 Byte, Default Value: 0

Setting	Description
0 - 2097151999	To set-up your values please follow this link : www.nodon.fr/support/msp3/alarm

Parameter 9: Alarm 3 Type Configuration

This parameter is to set the Alarm 3 Type. Use the Home Automation Gateway interface or our Alarm set-up form to define the value you need.

Size: 2 Byte, Default Value: 0

Setting	Description
0 - 65535	To set-up your values please follow this link : www.nodon.fr/support/msp3/alarm

Parameter 10: Alarm 3 Specifications

This parameter is to set the Alarm 3 Specifications. Use the Home Automation Gateway interface or our Alarm set-up form to define your need.

Size: 4 Byte, Default Value: 0

Setting	Description
0 - 2097151999	To set-up your values please follow this link : www.nodon.fr/support/msp3/alarm

Parameter 11: Alarm 4 Type Configuration

This parameter is to set the Alarm 4 Type. Use the Home Automation Gateway interface or our Alarm set-up form to define the value.

Size: 2 Byte, Default Value: 0

Setting	Description
0 - 65535	To set-up your values please follow this link : www.nodon.fr/support/msp3/alarm

Parameter 12: Alarm 4 Specifications

This parameter is to set the Alarm 4 Specifications. Use the Home Automation Gateway interface or our Alarm set-up form to define your need.

Size: 4 Byte, Default Value: 0

Setting	Description
0 - 2097151999	To set-up your values please follow this link : www.nodon.fr/support/msp3/alarm

Parameter 13: Alarm 5 Type Configuration

This parameter is to set the Alarm 5 Type. Use the Home Automation Gateway interface or our Alarm set-up form to define the value.

Size: 2 Byte, Default Value: 0

Setting	Description
0 - 65535	To set-up your values please follow this link : www.nodon.fr/support/msp3/alarm

Parameter 15: Alarm 6 Type Configuration

This parameter is to set the Alarm 6 Type. Use the Home Automation Gateway interface or our Alarm set-up form to define the value.

Size: 2 Byte, Default Value: 0

Setting	Description
0 - 65535	To set-up your values please follow this link : www.nodon.fr/support/msp3/alarm

Parameter 16: Alarm 6 Specifications

This parameter is to set the Alarm 6 Specifications. Use the Home Automation Gateway interface or our Alarm set-up form to define your need.

Size: 4 Byte, Default Value: 0

Setting	Description
0 - 2097151999	To set-up your values please follow this link : www.nodon.fr/support/msp3/alarm

Parameter 17: Alarm 7 Type Configuration

This parameter is to set the Alarm 7 Type. Use the Home Automation Gateway interface or our Alarm set-up form to define the value.
Size: 2 Byte, Default Value: 0

Setting	Description
0 - 2097151999	To set-up your values please follow this link : www.nodon.fr/support/msp3/alarm
0 - 65535	To set-up your values please follow this link : www.nodon.fr/support/msp3/alarm

Parameter 18: Alarm 7 Specifications

This parameter is to set the Alarm 7 Specifications. Use the Home Automation Gateway interface or our Alarm set-up form to define the value according to your need.
Size: 4 Byte, Default Value: 0

Setting	Description
0 - 2097151999	To set-up your values please follow this link : www.nodon.fr/support/msp3/alarm

Parameter 19: Alarm 8 Type Configuration

This parameter is to set the Alarm 8 Type. Use the Home Automation Gateway interface or our Alarm set-up form to define the value.
Size: 2 Byte, Default Value: 0

Setting	Description
0 - 65535	To set-up your values please follow this link : www.nodon.fr/support/msp3/alarm

Parameter 20: Alarm 8 Specifications

This parameter is to set the Alarm 8 Specifications. Use the Home Automation Gateway interface or our Alarm set-up form to define the value according to your need.
Size: 4 Byte, Default Value: 0

Setting	Description
0 - 2097151999	To set-up your values please follow this link : www.nodon.fr/support/msp3/alarm

Parameter 21: Power Auto-Sending Report

This parameter will send a power report automatically if the power value changes of x % W (Watt) compared to the last report.
Size: 1 Byte, Default Value: 10

Setting	Description
0	Power Auto-Polling Report Disable
1 - 100	Power Auto-Polling Report Enable with 1% (to100%) differential

Parameter 22: Overload Report

This parameter will switch off the Micro Smart Plug in case the power is above x W (Watt) and send an alarm to the primary controller with the highest execution priority between all the metering configurations for security reason.
Size: 2 Byte, Default Value: 1840

Setting	Description
0	Overload Report Disable (Not Recommended)
1 - 1840	Overload Report enable with a upper limit of 1 W (to 1840 W)

Parameter 23: Energy Auto-Sending Report

This parameter will send a new energy report automatically if the energy value changes of x Wh (Watt-hour) compared to the last report.

Size: 2 Byte, Default Value: 1000

Setting	Description
0	Energy Auto-Polling Report Disable
1 - 65535	Energy Auto-Polling Report enable with 1 Wh (to 65535 Wh) differential

Parameter 24: Metering Pulse

Whatever other metering reports, this parameter will send one power and one energy report to the lifeline every x s (Seconds).

Size: 2 Byte, Default Value: 3600

Setting	Description
0	Metering Pulse disable
1 - 65535	Metering Pulse enable and send report every 1 s (to 65535 s)

Parameter 25: Power High Threshold

This parameter defines the High Threshold power value.

Size: 2 Byte, Default Value: 20

Setting	Description
0	Power High Threshold disable
1 - 65535	Power High Threshold enable with the value from 1 W (to 65535 W)

Parameter 26: Power Low Threshold

This parameter defines the Low Threshold power value.

Size: 2 Byte, Default Value: 5

Setting	Description
0	Power Low Threshold disable
1 - 65535	Power Low Threshold enable with the value from 1 W (to 65535 W)

Parameter 27: Power Threshold Action

This parameter will define the Micro Smart Plug actions if the power Low and High Threshold are reached. The value may be the sum of the actions. For example, if you want: - Power High Threshold Action is enable and sent ON to Group 4(3)- Power Low Threshold Action is enable and sent OFF to Group 3(2), the parameter value must be 3+4=7.

Size: 1 Byte, Default Value: 7

Setting	Description
0	Power Threshold Action is disable.
1	Power High Threshold Action is enable and send the command OFF to Group 4
3	Power High Threshold Action is enable and send the command ON to Group 4
4	Power Low Threshold Action is enable and send the command OFF to Group 5
12	Power Low Threshold Action is enable and send the command ON to Group 5

Technical Data

Dimensions	44 x 44 x 78 mm
Weight	67 gr
Hardware Platform	ZM5202
EAN	3700313920602
IP Class	IP 20
Voltage	230 V
Load	1840 W
Device Type	On/Off Power Switch
Network Operation	Always On Slave
Z-Wave Version	6.51.06
Certification ID	ZC10-16045035
Z-Wave Product Id	0x0165.0x0001.0x0003
Frequency	Europe - 868,4 Mhz
Maximum transmission power	5 mW

Supported Command Classes

- Association Group Information V2
- Association V2
- Basic
- Switch Binary
- Configuration
- Device Reset Locally
- Firmware Update Md V2
- Indicator
- Manufacturer Specific V2

- Meter V4
- Notification V4
- Powerlevel
- Protection V2
- Switch All
- Version V2
- Zwaveplus Info V2

Controlled Command Classes

- Application Status
- Basic

Explanation of Z-Wave specific terms

- **Controller** — is a Z-Wave device with capabilities to manage the network. Controllers are typically Gateways, Remote Controls and other controllers.
- **Slave** — is a Z-Wave device without capabilities to manage the network. Slaves can be sensors, actuators and even remote controls.
- **Primary Controller** — is the central organizer of the network. It must be a controller. There can be only one primary controller in a network.
- **Inclusion** — is the process of adding new Z-Wave devices into a network.
- **Exclusion** — is the process of removing Z-Wave devices from the network.
- **Association** — is a control relationship between a controlling device and a controlled device.
- **Wakeup Notification** — is a special wireless message issued by a Z-Wave device to announce that it is able to communicate.
- **Node Information Frame** — is a special wireless message issued by a Z-Wave device to announce its capabilities and functions.